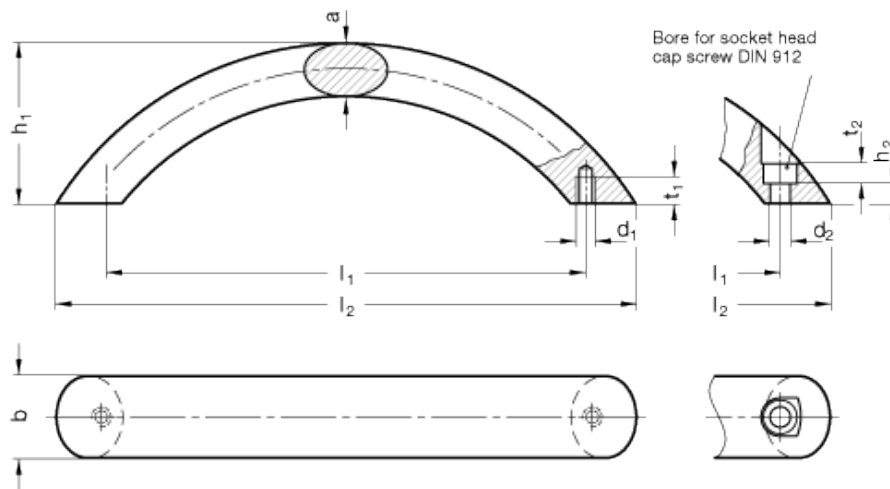


GN 565.4

Arch handles



technical informations

Material

Aluminium. Round cross section bar.

- Version BL: blank, tumbled.
- Version EL: anodised, natural colour, matte finish.
- Version SW: RAL 9005 black colour, matte finish, epoxy resin coating.
- Version SR: RAL 9006 silver colour, matte finish, epoxy resin coating.
- Version RS: RAL 3000 red colour, matte finish, epoxy resin coating.

Assembly

Tapped blind holes.

Special executions on request (For sufficient quantities)

Different lengths.

Features and applications

The manufacturing process (bending) allows the production of special lengths in relatively small quantities.

Standard Elements	Main dimensions					Mounting holes					Weight
Description	b	$l_1 \pm 0.25$	$l_2 \approx$	a	h_1	d_1	d_2	h_1	$t_{1 \text{ min.}}$	t_2	g
GN 565.4-20-160-A-BL	20	160	185	13	51	M6	-	-	8.5	-	105
GN 565.4-20-160-A-EL	20	160	185	13	51	M6	-	-	8.5	-	105
GN 565.4-20-160-A-SW	20	160	185	13	51	M6	-	-	8.5	-	105
GN 565.4-20-160-A-SR	20	160	185	13	51	M6	-	-	8.5	-	105
GN 565.4-20-160-A-RS	20	160	185	13	51	M6	-	-	8.5	-	105
GN 565.4-20-160-B-BL	20	160	185	13	51	-	5.3	5	-	5	100
GN 565.4-20-160-B-EL	20	160	185	13	51	-	5.3	5	-	5	100
GN 565.4-20-160-B-SW	20	160	185	13	51	-	5.3	5	-	5	100
GN 565.4-20-160-B-SR	20	160	185	13	51	-	5.3	5	-	5	100
GN 565.4-20-160-B-RS	20	160	185	13	51	-	5.3	5	-	5	100
GN 565.4-20-192-A-BL	20	192	221	13	51	M6	-	-	8.5	-	125
GN 565.4-20-192-A-EL	20	192	221	13	51	M6	-	-	8.5	-	125
GN 565.4-20-192-A-SW	20	192	221	13	51	M6	-	-	8.5	-	125
GN 565.4-20-192-A-SR	20	192	221	13	51	M6	-	-	8.5	-	125
GN 565.4-20-192-A-RS	20	192	221	13	51	M6	-	-	8.5	-	125
GN 565.4-20-192-B-BL	20	192	221	13	51	-	5.3	5	-	5	120
GN 565.4-20-192-B-EL	20	192	221	13	51	-	5.3	5	-	5	120
GN 565.4-20-192-B-SW	20	192	221	13	51	-	5.3	5	-	5	120
GN 565.4-20-192-B-SR	20	192	221	13	51	-	5.3	5	-	5	120
GN 565.4-20-192-B-RS	20	192	221	13	51	-	5.3	5	-	5	120
GN 565.4-26-160-A-BL	26	160	190	17	57	M8	-	-	11	-	190
GN 565.4-26-160-A-EL	26	160	190	17	57	M8	-	-	11	-	190
GN 565.4-26-160-A-SW	26	160	190	17	57	M8	-	-	11	-	190
GN 565.4-26-160-A-SR	26	160	190	17	57	M8	-	-	11	-	190
GN 565.4-26-160-A-RS	26	160	190	17	57	M8	-	-	11	-	190
GN 565.4-26-160-B-BL	26	160	190	17	57	-	6.4	6	-	6	180
GN 565.4-26-160-B-EL	26	160	190	17	57	-	6.4	6	-	6	180
GN 565.4-26-160-B-SW	26	160	190	17	57	-	6.4	6	-	6	180
GN 565.4-26-160-B-SR	26	160	190	17	57	-	6.4	6	-	6	180
GN 565.4-26-160-B-RS	26	160	190	17	57	-	6.4	6	-	6	180
GN 565.4-26-192-A-BL	26	192	227	17	57	M8	-	-	11	-	215
GN 565.4-26-192-A-EL	26	192	227	17	57	M8	-	-	11	-	215
GN 565.4-26-192-A-SW	26	192	227	17	57	M8	-	-	11	-	215
GN 565.4-26-192-A-SR	26	192	227	17	57	M8	-	-	11	-	215
GN 565.4-26-192-A-RS	26	192	227	17	57	M8	-	-	11	-	215
GN 565.4-26-192-B-BL	26	192	227	17	57	-	6.4	6	-	6	205
GN 565.4-26-192-B-EL	26	192	227	17	57	-	6.4	6	-	6	205
GN 565.4-26-192-B-SW	26	192	227	17	57	-	6.4	6	-	6	205
GN 565.4-26-192-B-SR	26	192	227	17	57	-	6.4	6	-	6	205
GN 565.4-26-192-B-RS	26	192	227	17	57	-	6.4	6	-	6	205



ELESA and GANTER models all rights reserved in accordance with the law. Always mention the source when reproducing our drawings.

STANDARD MACHINE ELEMENTS WORLDWIDE